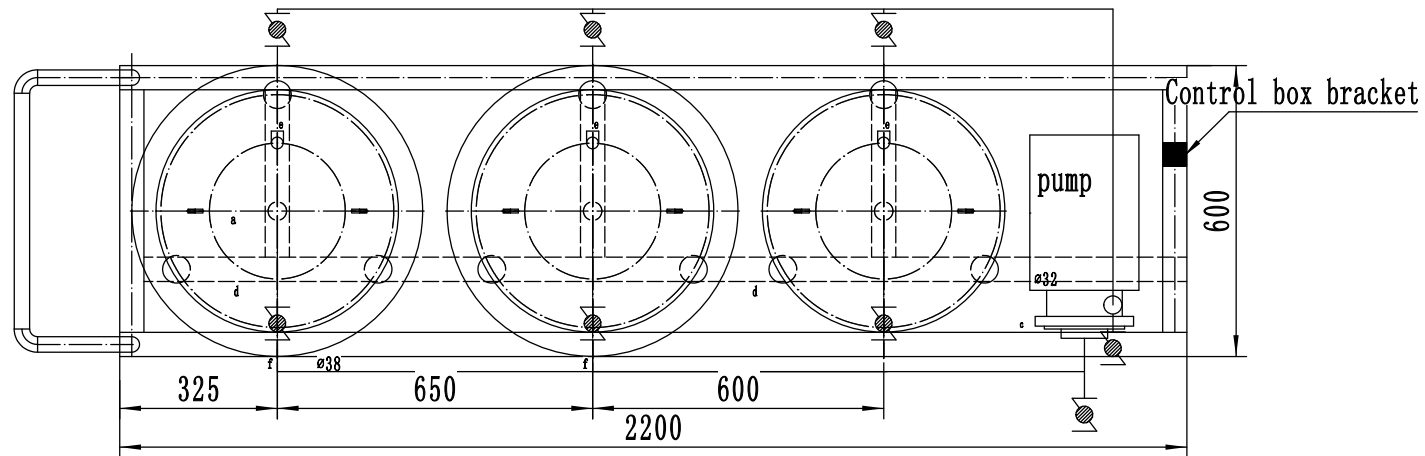


Technical requirements

- 1、The bottom of the washing pump is covered with stainless steel plate, thickness 4mm
- 2、The car uses two nylon universal wheels (with brakes) and two nylon directional wheels
- 3、The car frame is made of 201 sanding square tube, 50 x 50 x2



| | | | | | | | | |
|----|----|----|----------|--|----|------|------------|-----|
| | | | | | | 材料名称 | 06Cr19Ni10 | |
| | | | | | | 项目名称 | | |
| | | | | | | 设计阶段 | | |
| 职责 | 签名 | 日期 | 100L CIP | | | | | |
| 设计 | | | | | | | | |
| 校核 | | | | | | | | |
| 审核 | | | | | | | | |
| 批准 | | | 重量/kg | | 比例 | 1:11 | 共 页 | 第 页 |