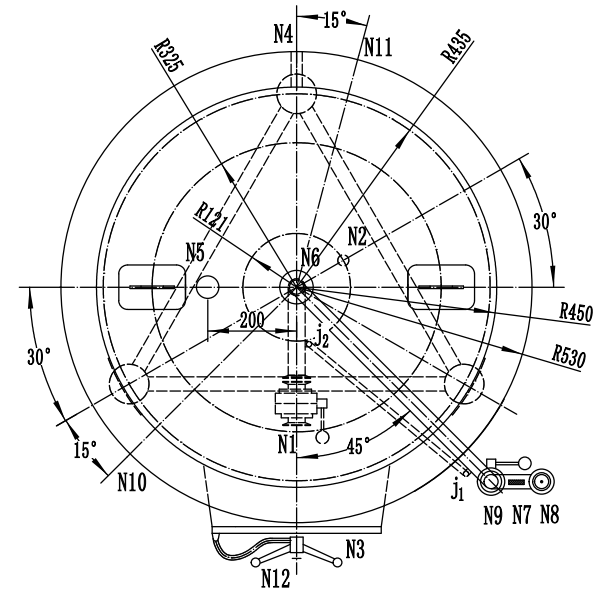
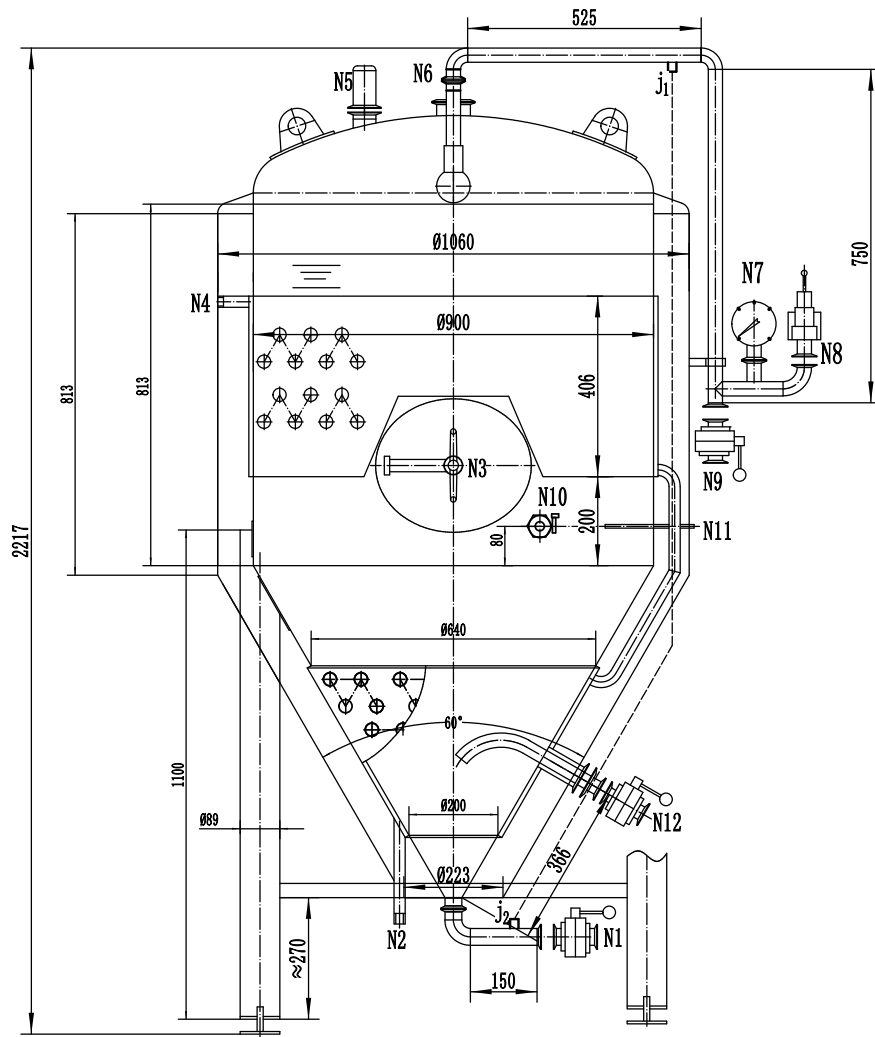


NO.	Size	connection	application	NO.	Size	connection	application
N1	Ø38	Tri-clamp	drain outlet	N8	Ø32	Tri-clamp	Industrial pressure relief valve
N2	Ø25	internal thread	ice water inlet	N9	Ø32	Tri-clamp	CIP inlet
N3	350×300 welding		Manhole	N10	Ø32	Tri-clamp	sample valve
N4	Ø25	internal thread	ice water outlet	N11	Ø8		Thermometer blind tube
N5	Ø51	Tri-clamp	pressure relief valve	N12	Ø32	Tri-clamp	Sampling bend
N6	Ø76	Tri-clamp	Washing tube	j <sub>1</sub> j <sub>2</sub>	Ø12	Thread connection	liquidometer
N7	Ø32	Tri-clamp	Seismic pressure gauge				



1. total volume:750L, effective volume:600L,  
2. working pressure:0.15Mpa, design pressure:0.3Mpa,

							济南卓达机械设备有限公司		
							600L发酵罐		
标记	处数	分区	更改文件号	签名	年、月、日	阶段标记		重量	比例
设计			标准化						1:12
审核						共 张		第 张	
工艺			批准						
							2017-12		