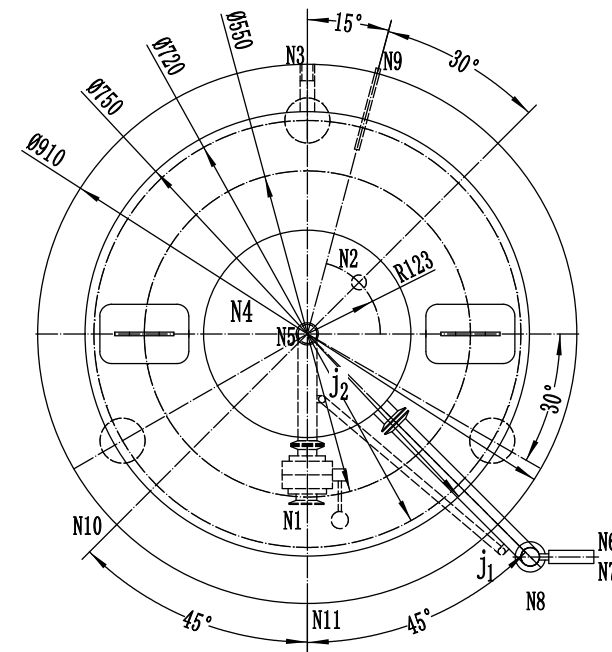


1. total volume:375L , effective volume:300L

NO.	Size	Connection	Application	NO.	Size	Connection	Application
N1	Ø32	Tri-clamp	drain outlet	N7	Ø32	Tri-clamp	Mechanical pressure relief valve
N2	Ø25	internal thread	ice water inlet	N8	Ø32	Tri-clamp	CIP inlet
N3	Ø25	internal thread	ice water outlet	N9	Ø8		Thermometer blind tube
N4	Ø350	Welding	Manhole	N10	Ø32	Tri-clamp	sample valve
N5	Ø38	Tri-clamp	pressure relief valve	N11	Ø32	Tri-clamp	Sampling bend
N6	Ø32	Tri-clamp	Seismic pressure gauge	J ₁ J ₂	Ø12	Thread connection	liquidometer



					304			济南卓达机械设备有限公司	
标记 处数 分区 更改文件号 签名 年、月、日					阶段标记		重量		比例
设计									1:9
审核									2017-12
工艺					批准		共 张 第 张		